



MicroPuck Prioritizer

STARLINK WITH UNIVERSAL INPUT CONNECTORS

Introducing our advanced dual-leg power system, designed for seamless military operations. The primary leg powers your mission, while the secondary leg stands ready to take over instantly if the primary fails. This automatic transition ensures uninterrupted functionality without manual intervention. It provides a stable 24V output tailored for the Starlink Mini, with extended cable lengths and reliable performance to safeguard against power disruptions.

DREW, ENGINEER

“The feedback was positive [on the MicroPuck Prioritizer at JRTC], and it was a much better outcome than the [competitors] that were being used. The issue you identified that caused the minis to fault was on point! I think that was a huge improvement.”

KEY FEATURES & CAPABILITIES

- ⚡ **Versatile Voltage Input:** The system supports 9-32V input and 20-24V output, compatible with various power sources and devices, including Starlink Mini and Teltonika Router 4-Pin.
- ⚡ **Seamless Power Transition:** With a dual-leg input, it automatically switches to a secondary power source if the primary fails, ensuring uninterrupted operation.
- ⚡ **Optimized for Starlink Mini:** Delivers 30W nominal and up to 60W maximum power, maintaining stability with longer cables and preventing Starlink brownout.
- ⚡ **Universal Compatibility:** Features a 2.5x5.5 male output compatible with Combat Power Solutions products, including the 10ft Starlink Mini Off-Grid Power Cable, enhancing integration into various setups.



Combat Power Solutions LLC CAGE Code: 886U6
DUNS: 116834190

TECHNICAL SPECIFICATIONS

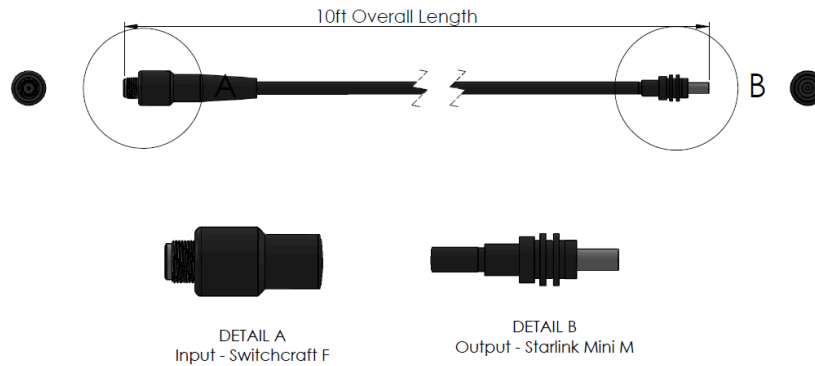
Input: 9-32V, Nett Warrior Male (works seamlessly with M-PACE and all other CPS power devices)

Output: 20-24 V, Tailored to 30W Nominal, 60W Max for Starlink Mini, 1x 2.5x5.5 Male, Universal 2.5x5.5 Male output is compatible with standard Combat Power Solutions products, including the 10ft Starlink Mini Off-Grid Power Cable and Teltonika Router 4-Pin (RUTM50) Power Cable.

Battery: Estimates show that the maximum configuration of two BB-2590 batteries provides a robust runtime of 21–22 hours under typical use, while the smaller 4 × 7Ah setup delivers a minimum of 12–12.5 hours.

Adding Starlink Mini: The output voltage is converted to approximately 24V for use with a Starlink Mini. This allows longer cables and provides adequate overhead to prevent Starlink brownout/power cycling.

STARLINK MINI OFF-GRID POWER CABLE



NETT WARRIOR/ SBMC STARLINK 60" INPUT POWER CABLE

